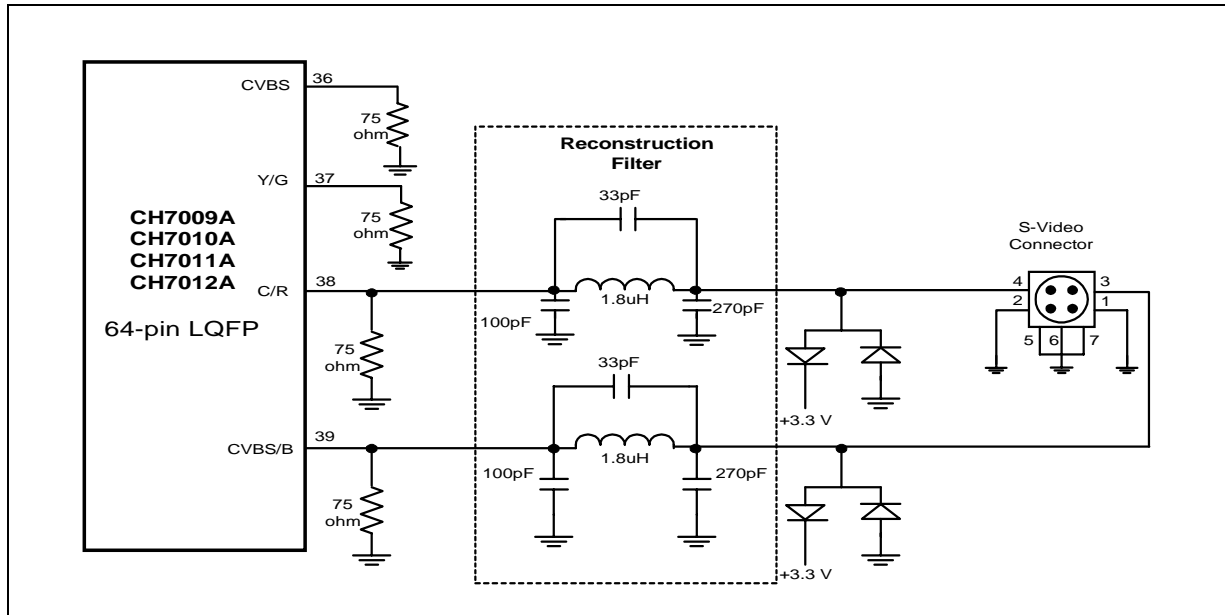


Recommendation of Composite & S-Video in Single Connector for CH7009 - CH7012

Introduction

In some application, there is only one video output connection available and simultaneously display of S-Video and Composite is not a concern. In order to provide S-Video & Composite signals under this situation, a recommended signal connection from CH7009 - CH7012 is shown:

Circuit Diagram

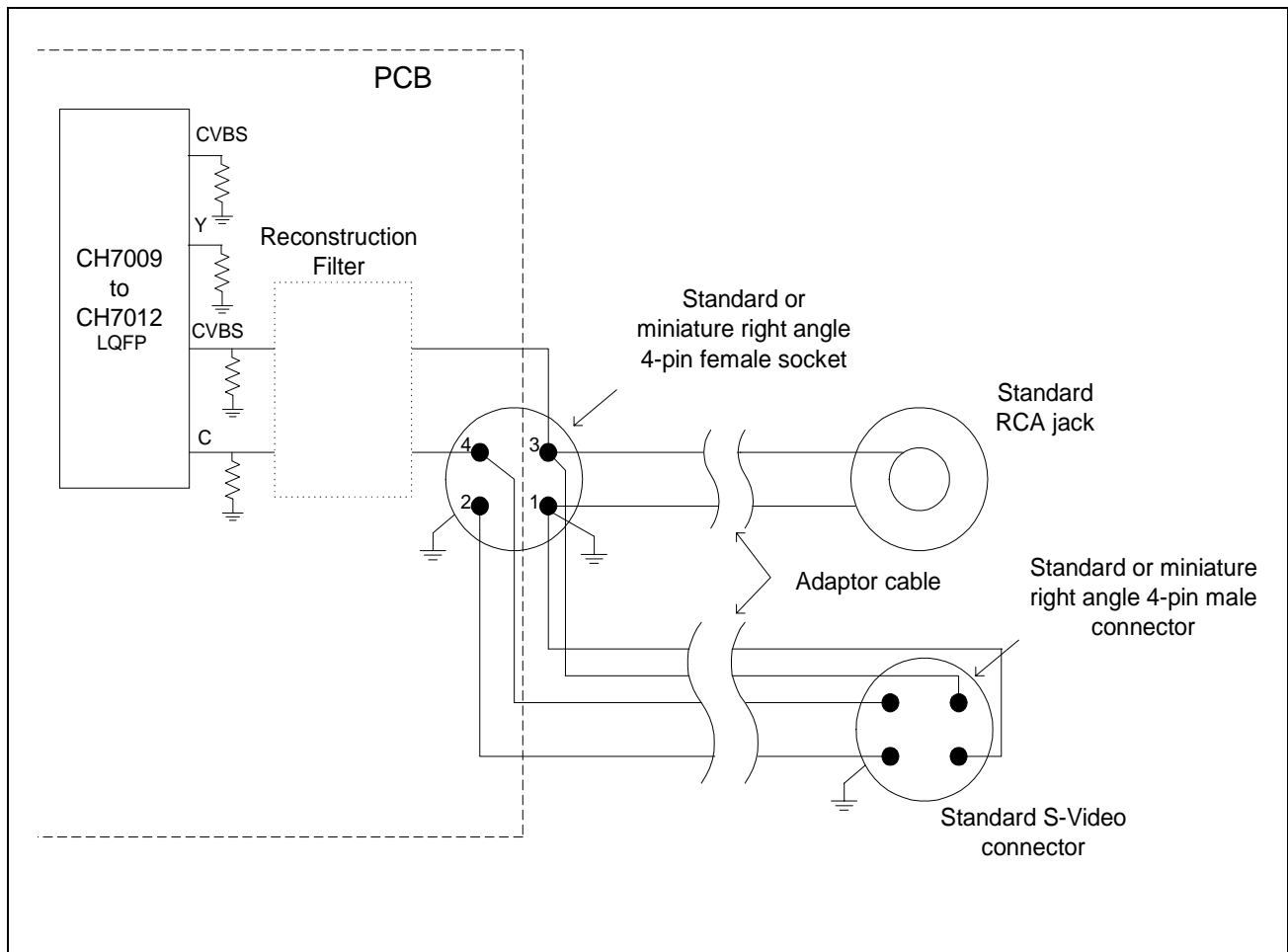


Note: All the VDD are connected to DAC power supply & GND are connected to DAC ground. Please refer to the data sheet for both VDD & GND pin's number. For PCB layout requirement, please refer to AN-34 (CH7009), AN-36 (CH7011), AN-44 (CH7010) and AN-45 (CH7012).

Software Register Setting

TV Output	Register Setting	
	VBW Register 02h	PM Register 49h
Composite Output	Bit5 (CVBWB bit) = 1	bit 5 TV = 1 and DACPD[3:0] = 1110
S-Video Output	Bit5 (CVBWB bit) = 0	bit 5 TV = 1 and DACPD[3:0] = 1010
Composite Black/White Output (for sharper text)	Bit5 (CVBWB bit) = 0	bit 5 TV = 1 and DACPD[3:0] = 1110

Cable Connection



Recommendation: Please refer to Digi-Key or JAMECO for the standard socket & connector. Customer should be aware and consult the cable manufacturer regarding the EMI issue, when the small form factor custom made connectors & cables are required.